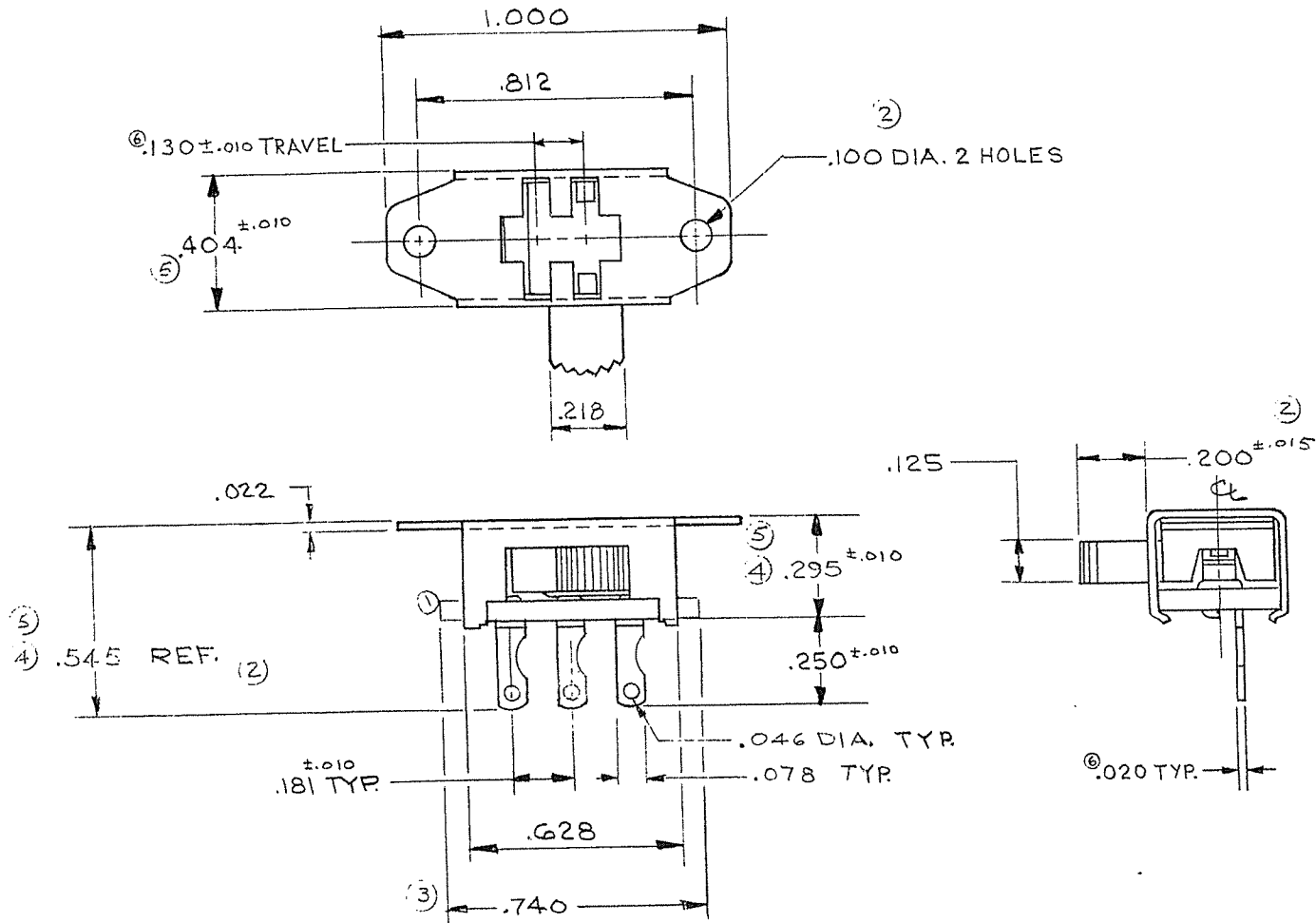


THIS IS A REDUCTION
DO NOT SCALE

ATTENTION
THIS DRAWING AND ITS ATTACHMENT, IF ANY, ARE
PROPRIETARY TO CW INDUSTRIES AND DESCRIBE
DESIGNS THAT ARE CONFIDENTIAL AND MUST NOT
BE DISCLOSED UNLESS AUTHORIZED, IN WRITING,
BY AN OFFICER OF CW INDUSTRIES.....

GI-151-0000



DIMENSIONS ARE IN INCHES. DO NOT SCALE DRAWING. 2X

REVISIONS	DATE AP. BY	ENG. AP.	1	2	3	4	5	6
0								
1	11-11-72							
2	11-11-72							
3	11-11-72							
4	11-11-72							
5	11-11-72							
6	11-11-72							

VARIATIONS ON FINISHED DIMENSIONS UNLESS OTHERWISE MARKED TOLERANCES UNLESS OTHERWISE SPECIFIED 2 PLACE DECIMAL ± .010 3 PLACE DECIMAL ± .005 FRACTIONS ± 1/64 ANGULAR DIMENSIONS ± 1/2°	SWIDGET S.P.-D.T SYDEWYNDER FIRST MADE FOR C-W DRAWN BY PS DATE DRAWN 8-10-72 CHECKED BY
CW INDUSTRIES WARMINSTER, PA. 18974	GI-151-0000